

WATER HEATERS

INSTANTANEOUS GAS FIRED



Celt Star C
Britony II T
Britony FlexiFlue

**Hot water on
demand**



C&M
CHAFFOTEAUX & MAURY



Instantaneous gas fired water heaters

Instant hot water from the world leader



Back in 1925 Chaffoteaux & Maury invented the first gas fired water heater. Eighty years later C&M continue to invest heavily in research and development to bring you some of the most effective, economical and stylish water heaters. The current range of gas fired instantaneous water heaters are amongst the most flexible on the market, offering both superior performance and reliability. This coupled with excellent technical support and aftersales service makes C&M the number one choice for hot water production.

Celt Star C



The Celt Star C is a highly efficient gas fired sink water heater that will provide instant hot water to a single point at a selected temperature. When the tap is turned on, cold water flows through the appliance's high output heat exchanger where it is quickly brought to the required temperature. It is just about the most efficient method of producing hot water for domestic use – perfect for those regular jobs such as rinsing hands or washing dishes where small amounts of hot water are required. Once the pilot has been lit, which is a very simple operation, the temperature is selected by turning the control knob and then adjusting the hot and cold controls (model CT). Nothing could be easier. Where the Celt Star is connected directly to a remote tap (model C), the temperature and flow rate are adjusted at the point of use.



Multipoint options to supply larger demands.....

Britony II T

The Britony II T provides a never-ending supply of hot water 24 hours a day at precisely the temperature you select. With no need for a storage cylinder, it also saves money. Whether you require hot water for washing up or bathing the children, this gas-fired multipoint water heater will respond to the task quickly and economically. The Britony II T is also perfect for use with most mixer showers and hot-fill domestic appliances such as washing machines. The Britony II T is compact and stylish with the gas and water connections hidden behind the lower panel and two simple controls to operate the temperature and flow rate. If required, the appliance can be installed under a work surface or inside a cupboard.



Britony FlexiFlue

This fan flued version offers maximum siting flexibility, as it does not need to be installed on an external wall. The slimline 100 mm flue can be fitted from inside the building and can be painted to match existing decorations or hidden, either by cabinets or purpose built ducting. Britony FlexiFlue is supplied with a 600 mm flue as standard and can be installed up to 3 metres from an outside wall using the extension flues which are available from any C&M stockist. A 90° flue bend and a 30° angle flue terminal are also available for flexibility of siting. Britony FlexiFlue operates under negative pressure for optimum safety and has built-in protection from frost damage.



These appliances are for *Domestic use ONLY* and are unsuitable for *Commercial* applications.

Celt Star C

Flueless gas fired water heater

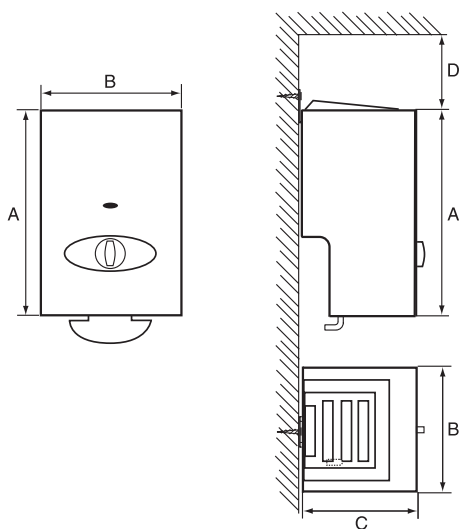


- Flueless operation with built-in safety system.
- Separate hot and cold control (CT).
- Pilot light with piezo igniter.
- Simple to install, easy to operate.
- Provides hot water on demand at low cost.
- Built-in scale reducer for longer working life.
- Choice of two models.

Technical Specification

Model		C*	CT**
Nominal Heat Input	kW	10	10
Nominal Heat Input	Btu/h	34,120	34,120
Nominal Heat Output	kW	8.5	8.5
Nominal Heat Output	Btu/h	29,002	29,002
D.H.W. Flow Rate ΔT 50°C	l/min	2.5	2.5
D.H.W. Flow Rate ΔT 50°C	gal/min	0.55	0.55
D.H.W. Flow Rate ΔT 30°C	l/min	4	4
D.H.W. Flow Rate ΔT 30°C	gal/min	0.9	0.9
Maximum Mains Water Pressure	bar	10	10
Minimum Mains Water Pressure	bar	0.2	0.2
Fresh Air Flow Rate	m ³ /h	21.5	21.5
G.C. Number		51-980-43	51-980-44

*Model C - for direct connection to a single remote outlet **Model CT - with mixing taps and 0.25m spout



Dimensions in mm	A	B	C	D
Model C	410	246	220	600
Model CT	410	246	220	600



Britony II T

Balanced flue gas fired water heater

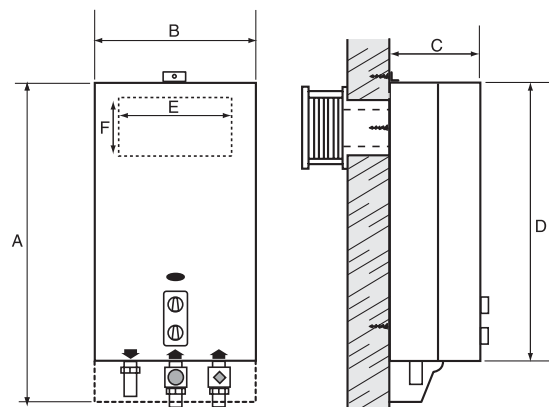
- Britain's most popular multipoint.
- Instantaneous hot water for a wide variety of uses.
- Can be connected to several points of use around the home.
- No hot water storage, so greater economy in use.
- Two, simple to operate, controls for temperature and flow.
- Perfect for use with mixer showers and hot fill domestic appliances.
- New stylish design with durable finish.
- Can be easily converted for use with LPG.
- Balanced flue operation.
- Available with SE Duct flue option.



Technical Specification

Model		II T
Nominal Heat Input	kW	23
Nominal Heat Input	Btu/h	78,480
Nominal Heat Output	kW	21
Nominal Heat Output	Btu/h	71,650
D.H.W. Flow Rate ΔT 50°C	l/min	6
D.H.W. Flow Rate ΔT 50°C	gal/min	1.32
D.H.W. Flow Rate ΔT 30°C	l/min	10.05
D.H.W. Flow Rate ΔT 30°C	gal/min	2.21
Maximum Mains Water Pressure	bar	10
Minimum Mains Water Pressure	bar	1
Weight	kg	19
G.C. Number		52-980-04

Dimensions in mm	A	B	C	D	E	F
Model II T	750	395	253	655	300	200



Britony FlexiFlue

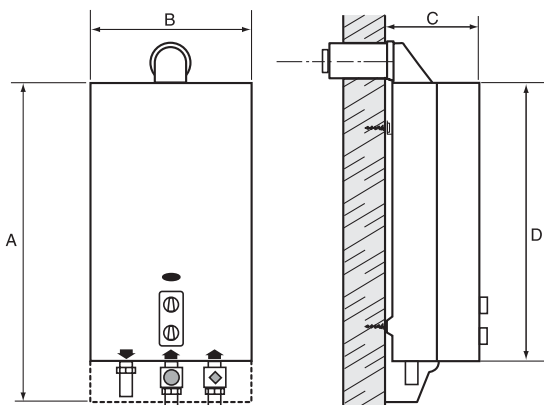
Fan flue gas fired water heater



- Fan flue operation allows greater flexibility in siting.
- Suitable for multi-storey buildings - flue installed from inside of property.
- Quiet running fan removes products of combustion.
- Perfect for the replacement of open flued gas appliances.
- Automatic built-in frost protection.
- New stylish design with durable finish.
- Incorporates all of the advantages of the Britony II T.
- Can be easily converted for use with LPG.

Technical Specification

Model		FlexiFlue
Nominal Heat Input	kW	25.2
Nominal Heat Input	Btu/h	85,966
Nominal Heat Output	kW	22.7
Nominal Heat Output	Btu/h	77,452
D.H.W. Flow Rate ΔT 50°C	l/min	6.5
D.H.W. Flow Rate ΔT 50°C	gal/min	1.43
D.H.W. Flow Rate ΔT 30°C	l/min	10.8
D.H.W. Flow Rate ΔT 30°C	gal/min	2.4
Maximum Mains Water Pressure	bar	10
Minimum Mains Water Pressure	bar	0.5
Weight	kg	15
G.C. Number		52-980-08



Dimensions in mm	A	B	C	D
Model FlexiFlue	750	395	270	655



IPX3

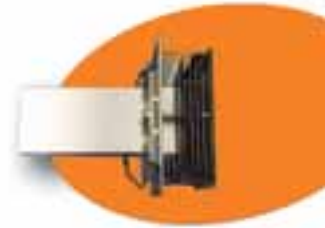
Accessories

Simple to use options for ultimate installation flexibility

Britony II T

Where the installation requires a longer flue set than the standard (75-255mm (3-14"), an optional flue set for wall thicknesses up to 500mm (20") is available to special order.

- Complies with British Standard: BS 5440.
- High quality stainless steel construction.
- Includes wall lining and all fixings.



Britony FlexiFlue

The Britony FlexiFlue is supplied with 600mm flue kit as standard. Optional 1 metre flue extensions are available so that a maximum length of 3 metres can be achieved.

- Constructed using highest quality materials.
- Allows for maximum flue flexibility appliance can be fitted 3 metres from external wall.
- Simple installation.



Where straight flue lengths are impractical, 90° angle bends are available allowing the Britony FlexiFlue to be installed in almost any position.

- Constructed using highest quality materials.
- Includes all 'O' rings and clamps.
- Simple installation.



An optional 30° flue terminal is available to ease difficult flue termination situations

- Constructed using highest quality materials.
- Includes all fixtures and fittings.
- Simple installation.



WATER HEATERS

INSTANTANEOUS GAS FIRED



In the interests of our customers, MTS (GB) Limited is continually developing these products to improve both performance and design. We therefore reserve the right to change specification without prior notice. This brochure is accurate at the date of printing. Consumer statutory rights are not affected. Month & Year Printed by Vario Press

MTS (GB) Limited

MTS Building, Hughenden Avenue,
High Wycombe, Bucks HP13 5FT
Tel: 01494 755600
Fax: 01494 459775
Technical Support Help Line: 01494 539579
www.chaffoteaux.co.uk

